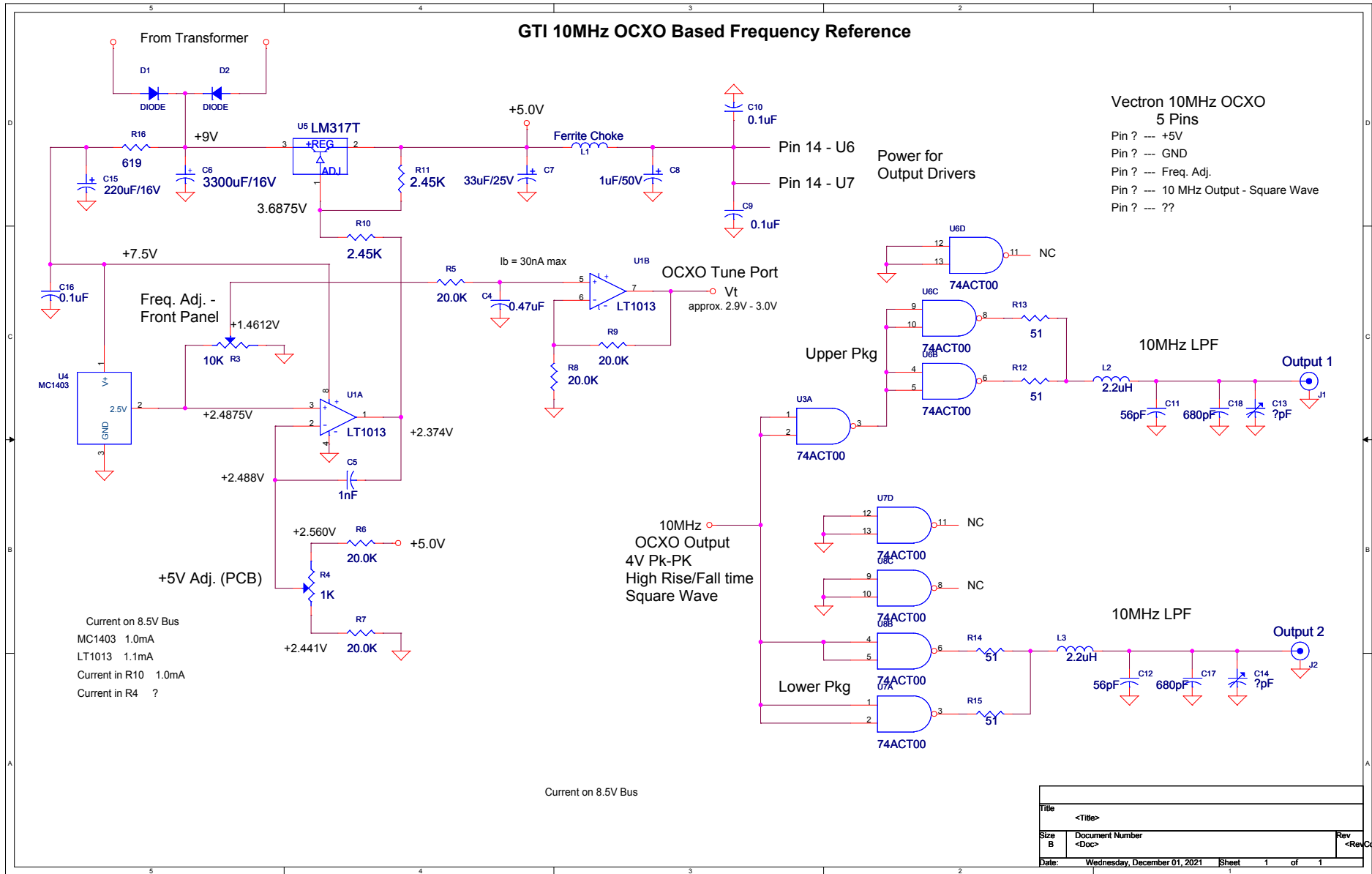


GTI 10MHz OCXO Based Frequency Reference

Vectron 10MHz OCXO
5 Pins

- Pin ? --- +5V
- Pin ? --- GND
- Pin ? --- Freq. Adj.
- Pin ? --- 10 MHz Output - Square Wave
- Pin ? --- ??



Current on 8.5V Bus
MC1403 1.0mA
LT1013 1.1mA
Current in R10 1.0mA
Current in R4 ?

Current on 8.5V Bus

Title		<Title>
Size	Document Number	Rev
B	<Doc>	<Rev Code>
Date:	Wednesday, December 01, 2021	Sheet 1 of 1